

TTL OUTPUT HALF SIZE DIP CRYSTAL CLOCK OSCILLATOR

AHT Series



RoHS
Compliant



13.2 x 13.2 x 5.5mm

FEATURES:

- Hermetically sealed metal package
- TTL output
- Case ground for EMI protection
- Tri-state Enable/Disable options

APPLICATIONS:

- Provide clock signals for microprocessors and digital circuits
- TTL output for low EMI applications

STANDARD SPECIFICATIONS:

PARAMETERS	
ABRACON P/N	AHT Series
Frequency:	400kHz to 160MHz
Operating temperature:	0°C to +70°C (see options)
Storage temperature:	- 55°C to + 125°C
Overall frequency stability*:	± 100ppm max. (see options)
Supply voltage (Vdd):	5.0Vdc ± 10%
Input current:	See Table 1
Symmetry:	40/60% max. (see option)
Rise and Fall Times (Tr/Tf):	See Table 1
Output load:	10 TTL max.
Output Voltage:	VOH = 0.9 * Vdd min. VOL = 0.1 * Vdd max.
Tri State Function:	"1" (VIH >= 2.4 Vdc) or open: Oscillation "0" (VIL < 0.4V): Hi Z
Output Disable/ Enable time:	100 ns max. (for Option "-A" ONLY)
Start-up-time:	10 to 35 ms max

Table 1

Frequency MHz	Input current mA	Rise/Fall time ns
400.000kHz ≤ F < 24.999MHz	20	10
25.000Hz ≤ F < 100.000MHz	40	5
100.000kHz ≤ F < 160.000MHz	80	4

* Overall frequency stability includes initial tolerance, temperature stability, and aging.

OPTIONS & PART IDENTIFICATION:

(Left blank if standard)

AHT - Frequency - □ - □ - □ - □ - □

Temperature Options	
I	0°C to +50°C
D	-10°C to +60°C
E	-20°C to +70°C
F	-30°C to +70°C
N	-30°C to +85°C
L	-40°C to +85°C

Symmetry Options	
S	45/55% @ 1/2 Vdd

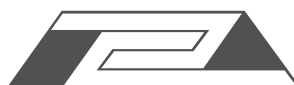
Tristate Enable Funct	
A	Tristate Function

Value Added Option	
G	Gull Wing
G2	Gull Wing
GHT	Gull Wing Reflow
Q45	0.45(11.43)
Q40	0.40(10.16)
Q35	0.25(8.89)
Q30	0.30(7.62)
Q25	0.25(6.35)
Q20	0.20(5.08)
Q15	0.15(3.81)
Q10	0.10(2.54)

Freq. Stability	
J*	±20 ppm max.
R	±25 ppm max.
K	±30 ppm max.
H	±35 ppm max.
C	±50 ppm max.

*Temp option I, D, and E only

ABRACON IS
ISO9001:2008
CERTIFIED



ABRACON
CORPORATION

Visit www.abracon.com for Terms & Conditions of Sale **Revised: 10.23.10**

30332 Esperanza, Rancho Santa Margarita, California 92688

tel 949-546-8000 fax 949-546-8001 www.abracon.com

TTL OUTPUT HALF SIZE DIP CRYSTAL CLOCK OSCILLATOR

AHT Series

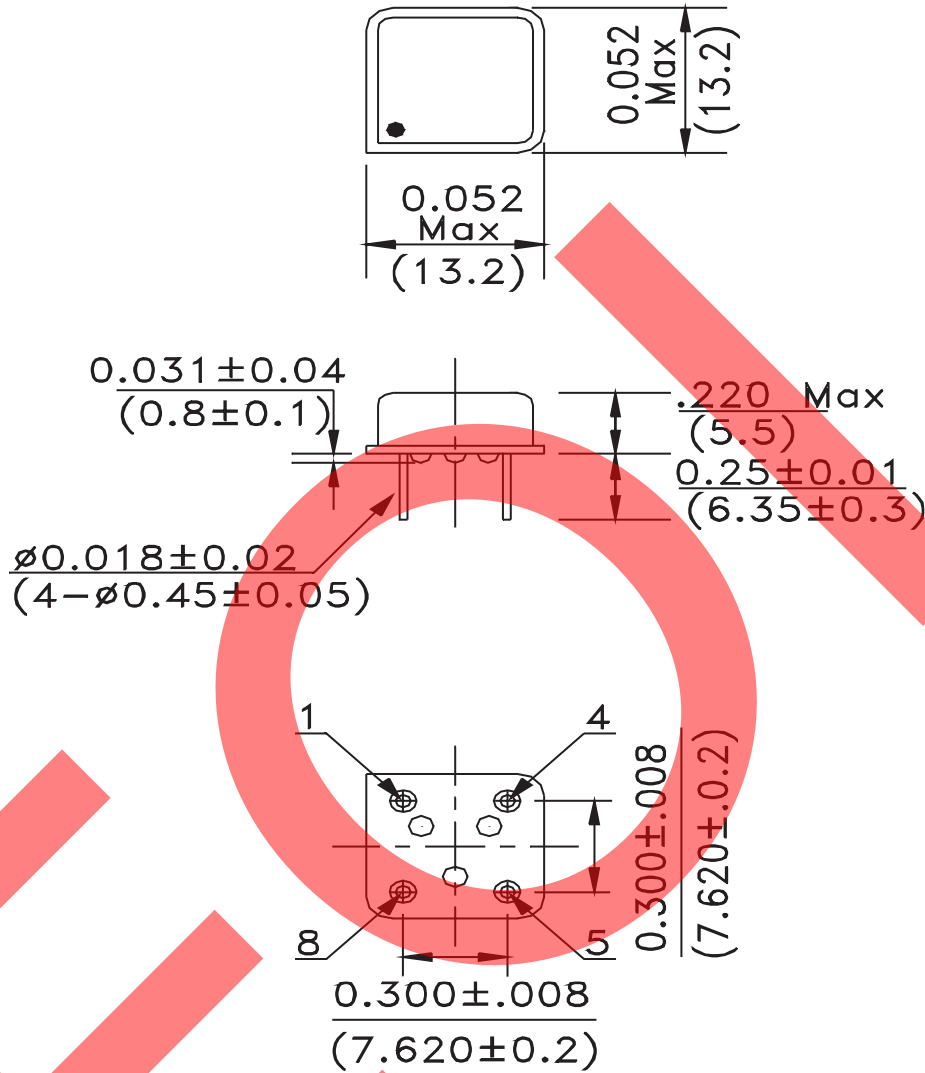


RoHS
Compliant



13.2 x 13.2 x 5.5mm

OUTLINE DIMENSIONS:



PIN	FUNCTION
1	NC or Tristate Enable/ Disable
4	GND
5	Output
8	VDD

Note: Recommended using an approximately 0.01uF bypass capacitor between PIN 4 and 8.

Dimensions: inches (mm)

ATTENTION: Abracon Corporation's products are COTS – Commercial-Off-The-Shelf products; suitable for Commercial, Industrial and, where designated, Automotive Applications. Abracon's products are not specifically designed for Military, Aviation, Aerospace, Life-dependant Medical applications or any application requiring high reliability where component failure could result in loss of life and/or property. For applications requiring high reliability and/or presenting an extreme operating environment, written consent and authorization from Abracon Corporation is required. Please contact Abracon Corporation for more information.

ABRACON IS
ISO9001:2008
CERTIFIED



Visit www.abracon.com for Terms & Conditions of Sale **Revised: 10.23.10**
30332 Esperanza, Rancho Santa Margarita, California 92688
tel 949-546-8000 | fax 949-546-8000 | www.abracon.com