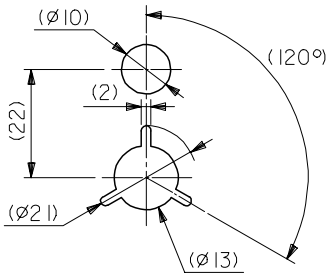
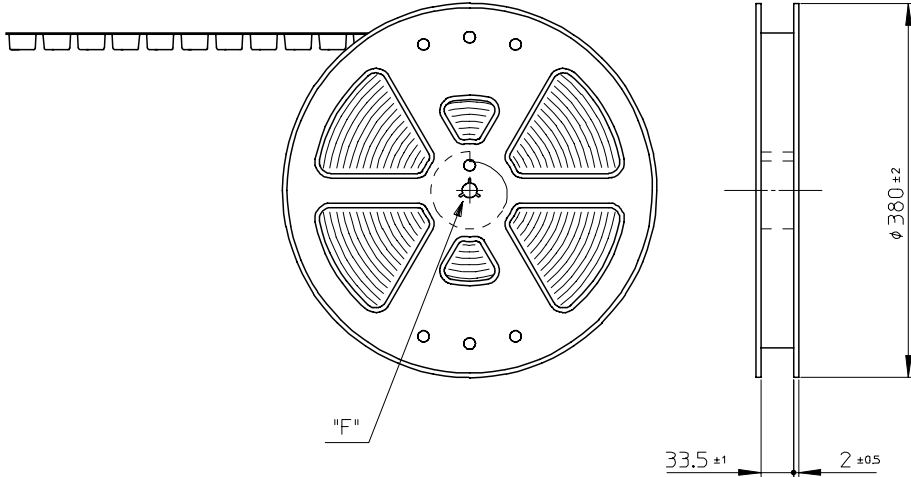


10 9 8 7 6 5 4 3 2 1

引き出し方向
PULL OUT
DIRECTION

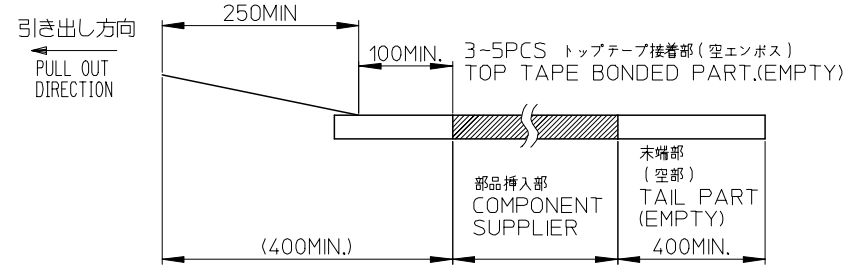


DETAIL "F"

無鉛
LEAD FREE

NOTES

- 製品詳細寸法については図面 SD-502221-002 を参照下さい。
DETAILED DIMENSION PLEASE REFER TO THE SD-502221-002.
- 梱包数量 : 250個/リール
NUMBER OF CONNECTORS : 250PCS/REEL
- リードテープ長さ
LEAD TAPE LENGTH



4. 材料(MATERIAL)

- キャリアテープ : ポリスチレン(PS)
CARRIER TAPE : POLYSTYRENE(PS)
- トップテープ : ポリエチレンテレフタレート(PET)
TOP TAPE : ANTISTATIC POLYETHYLENE TEREPHTHALATE(PET)
- リール : 導電性ポリスチレン (リサイクル材を含む)
REEL : CONDUCTIVE POLYSTYRENE(PS)
(RECYCLED MATERIAL CONTAINED)

MATERIAL NO. 502221-0001

RELEASED EC NO: J2007-1723 DRWNG:SSHIMONISHI 2007/03/13 CHKDK:KADACHI 2007/03/14 APPR:MYAGI 2007/03/16	GENERAL TOLERANCES (UNLESS SPECIFIED)		DIMENSION STYLE MM ONLY		SCALE ---	DESIGN UNITS METRIC	THIRD ANGLE PROJECTION	
	10 UNDER	± ---	DRAWN BY SSHIMONISHI	DATE 2006/12/14	TITLE COMPACT SINGLE PORT CATEGORY 5E MOD JACK SMT EMBSTP PKG			
	10 OVER 30 UNDER	± ---	CHECKED BY KADACHI	DATE 2006/12/14				
	30 OVER	± ---	APPROVED BY MYAGI	DATE 2006/12/14				
	ANGULAR ±1 °		MATERIAL NO. SEE CHART		DOCUMENT NO. SD-502221-001		SHEET NO. 1 OF 2	
DRAFT WHERE APPLICABLE MUST REMAIN WITHIN DIMENSIONS		SIZE A3		THIS DRAWING CONTAINS INFORMATION THAT IS PROPRIETARY TO MOLEX INCORPORATED AND SHOULD NOT BE USED WITHOUT WRITTEN PERMISSION				

10 9 8 7 6 5 4 3 2 1

F

E

D

C

B

A

F

E

D

C

B

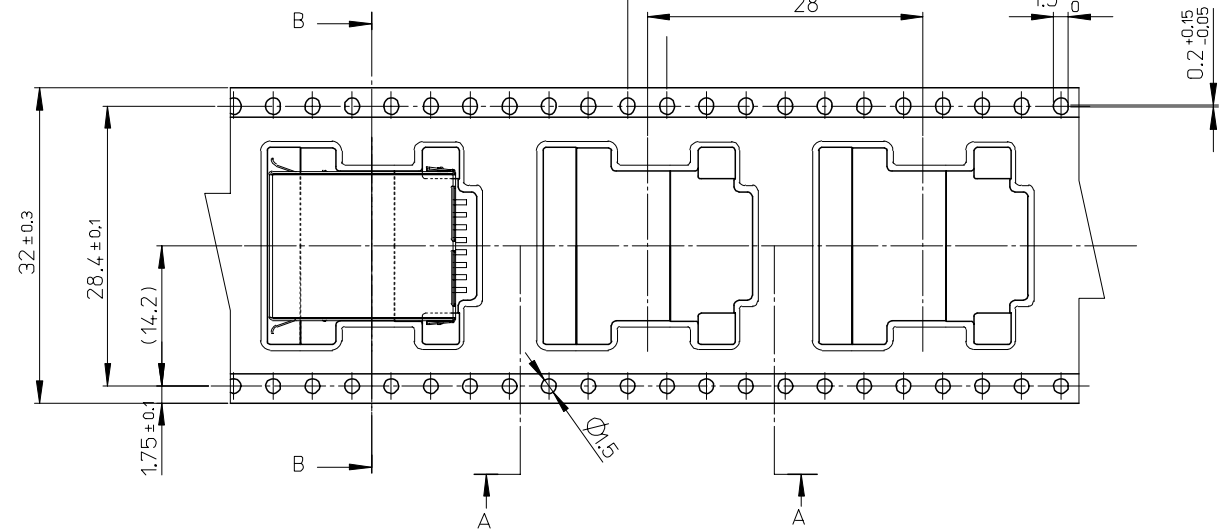
A

引き出し方向
PULL OUT
DIRECTION

4 累計ピッチ 40±0.2
ACCUMULATIVE PITCH 40±0.2

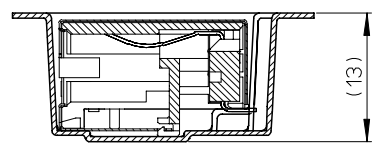
0.5±0.05

トップテープ
TOP TAPE



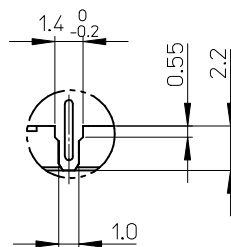
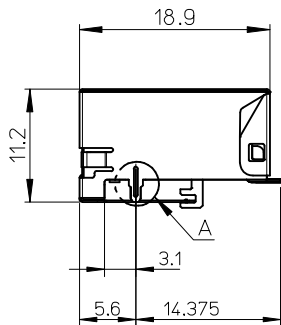
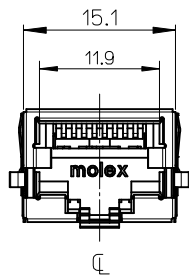
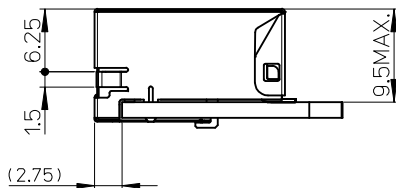
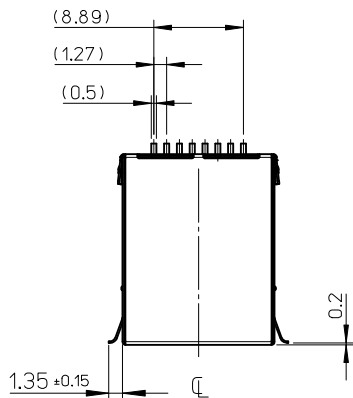
SECT:B-B

32mm 幅 キャリアテープ
32mm WIDTH CARRIER TAPE

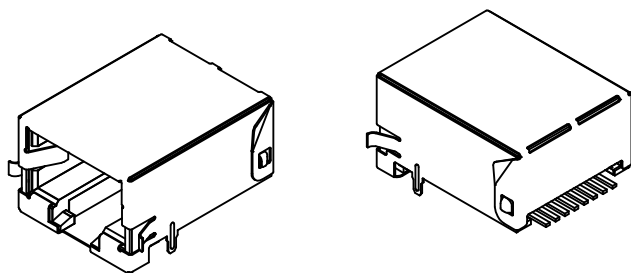


SECT:A-A

RELEASED EC NO: J2007-1723 DRWG:SHIMONISHI 2007/03/13 CHK:KADACHI 2007/03/14 APPR:MYAGI 2007/03/16	GENERAL TOLERANCES (UNLESS SPECIFIED)		DIMENSION STYLE MM ONLY	SCALE ---	DESIGN UNITS METRIC	THIRD ANGLE PROJECTION	
	10 UNDER	± ---	DRAWN BY SSHIMONISHI	DATE 2006/12/14	TITLE COMPACT SINGLE PORT CATEGORY 5E MOD JACK SMT EMBSTP PKG		
	10 OVER 30 UNDER	± ---	CHECKED BY KADACHI	DATE 2006/12/14	MOLEX INCORPORATED		
	30 OVER	± ---	APPROVED BY MYAGI	DATE 2006/12/14	MATERIAL NO. SEE SHEET1	DOCUMENT NO. SD-502221-001	SHEET NO. 2 OF 2
	ANGULAR	±1 °	DRAFT WHERE APPLICABLE MUST REMAIN WITHIN DIMENSIONS		THIS DRAWING CONTAINS INFORMATION THAT IS PROPRIETARY TO MOLEX INCORPORATED AND SHOULD NOT BE USED WITHOUT WRITTEN PERMISSION		



DETAIL A
Scale 4:1



NOTES

1. 材質

ハウジング: NYLON(PA), GLASS FILLED, UL94-V0, COLOR: BLACK
 HOUSING
 ターミナル: COPPER ALLOY
 TERMINALS
 シェル: COPPER ALLOY
 SHELL

2. ターミナルメッキ仕様

下地メッキ: ニッケルメッキ 1.27 MICRO METER 以上
 UNDER PLATING: Ni PLATING 1.27 MICRO METER MINIMUM.
 コンタクト部: 金メッキ 1.27 MICRO METER 以上(TBD)
 CONTACT AREA: Au PLATING 1.27 MICRO METER MINIMUM.(TBD)
 ソルダータール部: 金メッキ 0.1 MICRO METER 以上(TBD)
 SOLDER TAIL AREA: Au PLATING 0.1 MICRO METER MINIMUM.(TBD)

3. シェルメッキ仕様

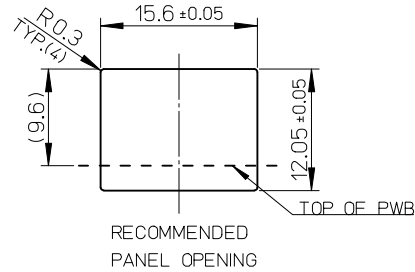
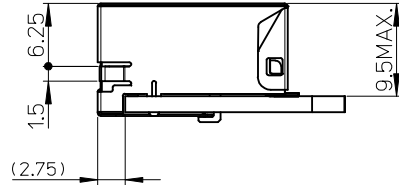
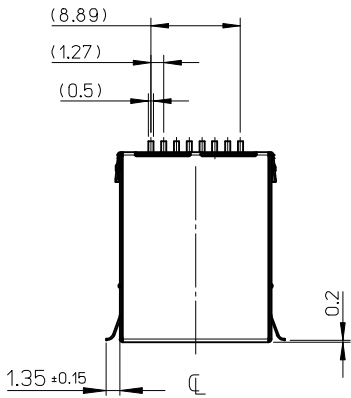
下地メッキ: ニッケルメッキ 1.27 MICRO METER 以上
 ALL AREA: Ni PLATING 1.27 MICRO METER MINIMUM.
 全面: 錫メッキ 2 MICRO METER 以上
 ALL AREA: Tin PLATING 2 MICRO METER MINIMUM.

4. ソルダータール平坦度は0.1mm以下とする。
 COPLANARITY OF SOLDER TAIL SHOULD BE LESS THAN 0.1mm.

△ 半田DIP部は確実にGRD接続すること。
 SOLDER DIP MUST CONNECT GRD SURELY.

6. RoHS対応とする。
 COMPLIANT TO RoHS.

RELEASED EC NO: J2006-2943 DRWN:SSHIMONISHI 2006/08/24 CHKD:AMIZUMURA 2006/08/25 APPR:MYAGI 2006/08/28	GENERAL TOLERANCES (UNLESS SPECIFIED)		DIMENSION STYLE MM ONLY	SCALE ---	DESIGN UNITS METRIC	THIRD ANGLE PROJECTION	
	10 UNDER	±0.2	DRAWN BY SSHIMONISHI	DATE 2006/03/18	TITLE COMPACT SINGLE PORT CATEGORY 5E MOD JACK SMT		
	10 OVER 30 UNDER	±0.25	CHECKED BY AMIZUMURA	DATE 2006/03/18	MOLEX INCORPORATED		
	30 OVER	±0.3	APPROVED BY MYAGI	DATE 2006/03/18	MATERIAL NO. 502221-0002	DOCUMENT NO. SD-502221-002	SHEET NO. 1 OF 2
A	ANGULAR ±1 ° DRAFT WHERE APPLICABLE MUST REMAIN WITHIN DIMENSIONS		SIZE A3	THIS DRAWING CONTAINS INFORMATION THAT IS PROPRIETARY TO MOLEX INCORPORATED AND SHOULD NOT BE USED WITHOUT WRITTEN PERMISSION			



NOTES

1. 材質

ハウジング: NYLON(PA), GLASS FILLED, UL94-V0, COLOR: BLACK
 HOUSING
 ターミナル: COPPER ALLOY
 TERMINALS
 シェル: COPPER ALLOY
 SHELL

2. ターミナルメッキ仕様

下地メッキ: ニッケルメッキ 1.27 MICRO METER 以上
 UNDER PLATING: Ni PLATING 1.27 MICRO METER MINIMUM.

コンタクト部: 金メッキ 1.27 MICRO METER 以上
 CONTACT AREA: Au PLATING 1.27 MICRO METER MINIMUM.

ソルダーテール部: 金メッキ 0.1 MICRO METER 以上
 SOLDER TAIL AREA: Au PLATING 0.1 MICRO METER MINIMUM.

3. シェルメッキ仕様

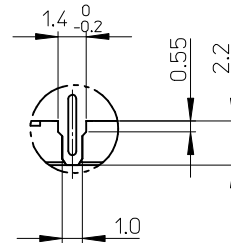
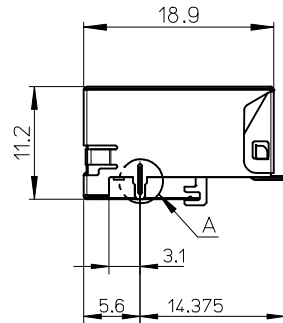
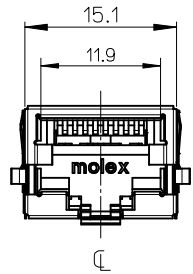
下地メッキ: ニッケルメッキ 1.27 MICRO METER 以上
 ALL AREA: Ni PLATING 1.27 MICRO METER MINIMUM.

全面: 錫メッキ 2 MICRO METER 以上
 ALL AREA: Tin PLATING 2 MICRO METER MINIMUM.

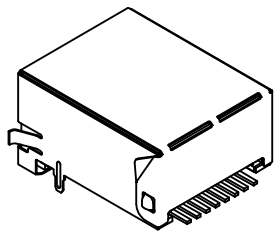
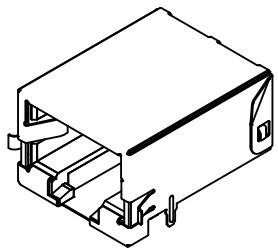
4. ソルダーテール平坦度は0.1mm以下とする。
 COPLANARITY OF SOLDER TAIL SHOULD BE LESS THAN 0.1mm.

△ 半田DIP部は確実にGRD接続すること。
 SOLDER DIP MUST CONNECT GRD SURELY.

6. RoHS対応とする。
 COMPLIANT TO RoHS.



DETAIL A
 Scale 4:1



REVISED EC NO: J2015-0461 DRWN: NISHIKAWA 2014/10/03 CHKD: AMIZUMURA 2014/10/03 APPR: MYAGI 2014/10/06	GENERAL TOLERANCES (UNLESS SPECIFIED)		DIMENSION STYLE MM ONLY	SCALE 2:1	DESIGN UNITS METRIC	THIRD ANGLE PROJECTION
	10 UNDER	± 0.2	DRAWN BY SSHIMONISHI	DATE 2006/03/18	TITLE COMPACT SINGLE PORT CATEGORY 5E MOD JACK SMT	
	10 OVER 30 UNDER	± 0.25	CHECKED BY AMIZUMURA	DATE 2006/03/18		
	30 OVER	± 0.3	APPROVED BY MYAGI	DATE 2014/10/06		
REV	DESCRIPTION	ANGULAR ± 1 °	MATERIAL NO. 502221-0002	DOCUMENT NO. SD-502221-002	SHEET NO. 1 OF 2	
		DRAFT WHERE APPLICABLE MUST REMAIN WITHIN DIMENSIONS	SIZE A3	THIS DRAWING CONTAINS INFORMATION THAT IS PROPRIETARY TO MOLEX INCORPORATED AND SHOULD NOT BE USED WITHOUT WRITTEN PERMISSION		

10 9 8 7 6 5 4 3 2 1

F

E

D

C

B

A

F

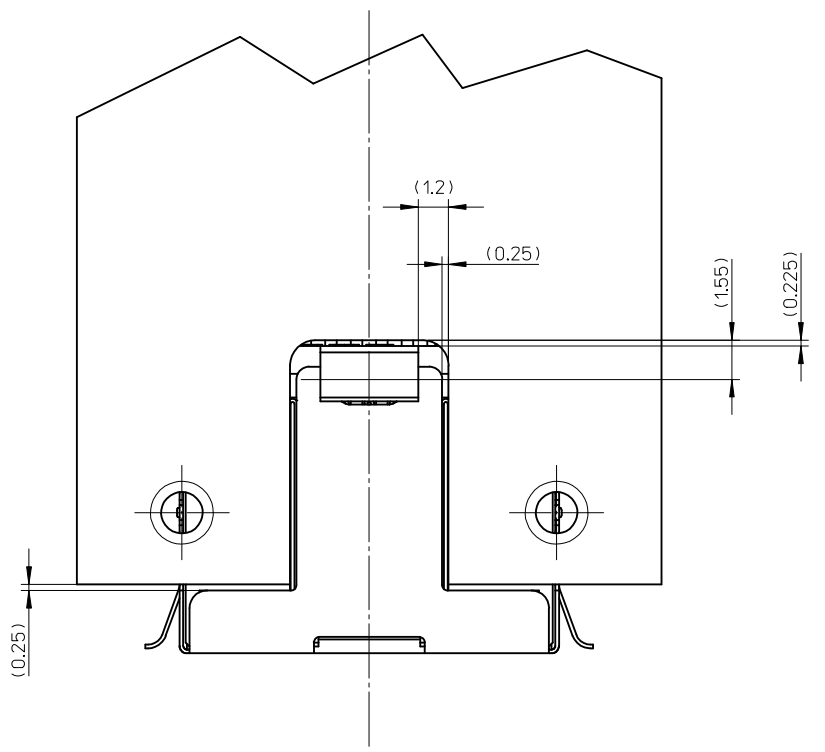
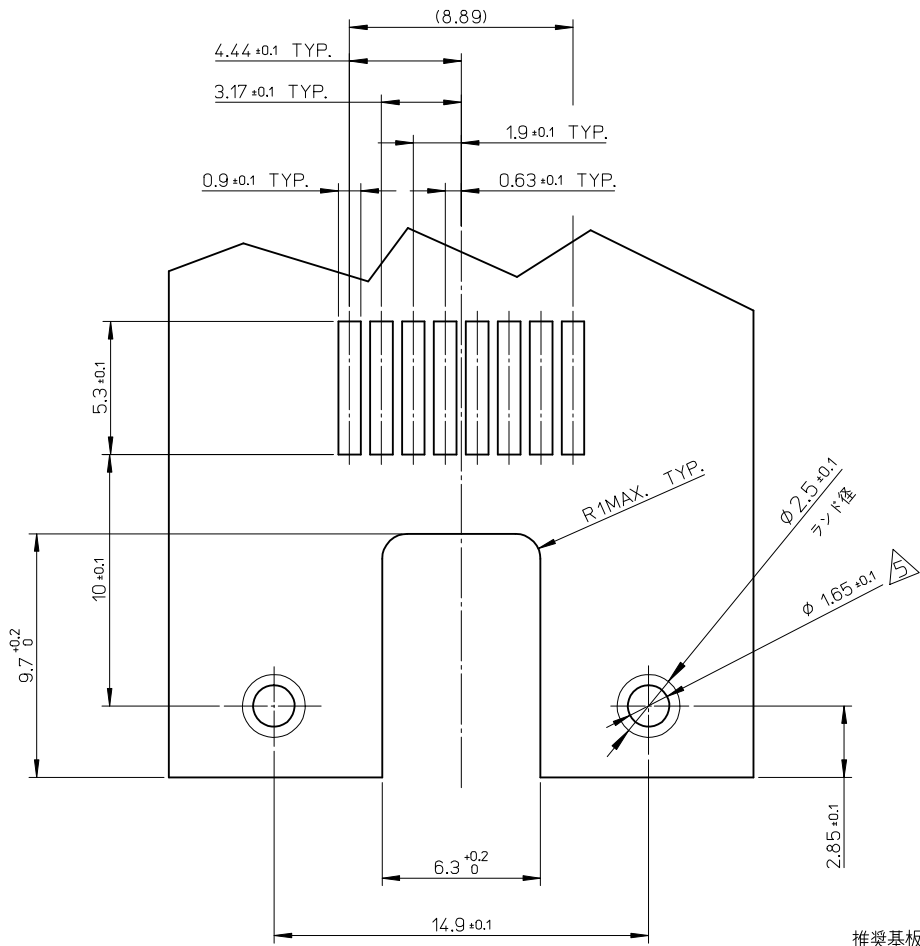
E

D

C

B

A



推奨基板パターン図
RECOMMENDED PCB LAYOUT

REVISED EC NO: J2015-0461 DRWN: NISHIKAWA 2014/10/03 CHKD: AMIZUMURA 2014/10/03 APPR: MYAGI 2014/10/06	DESCRIPTION	GENERAL TOLERANCES (UNLESS SPECIFIED)		DIMENSION STYLE	SCALE	DESIGN UNITS	THIRD ANGLE PROJECTION	
		10 UNDER	± 0.2	MM ONLY		METRIC		
		10 OVER 30 UNDER	± 0.25				TITLE	
		30 OVER	± 0.3				COMPACT SINGLE PORT CATEGORY 5E MOD JACK SMT	
REV B	REV	ANGULAR ± 1 °		DRAWN BY	DATE	APPROVED BY		DOCUMENT NO.
		DRAFT WHERE APPLICABLE MUST REMAIN WITHIN DIMENSIONS		SSHIMONISHI	2006/03/18	MYAGI		
				AMIZUMURA	2006/03/18	2014/10/06		
				MATERIAL NO.	SEE SHEET 1		SD-502221-002	SHEET NO.
				SIZE	THIS DRAWING CONTAINS INFORMATION THAT IS PROPRIETARY TO MOLEX INCORPORATED AND SHOULD NOT BE USED WITHOUT WRITTEN PERMISSION			

9 8 7 6 5 4 3 2