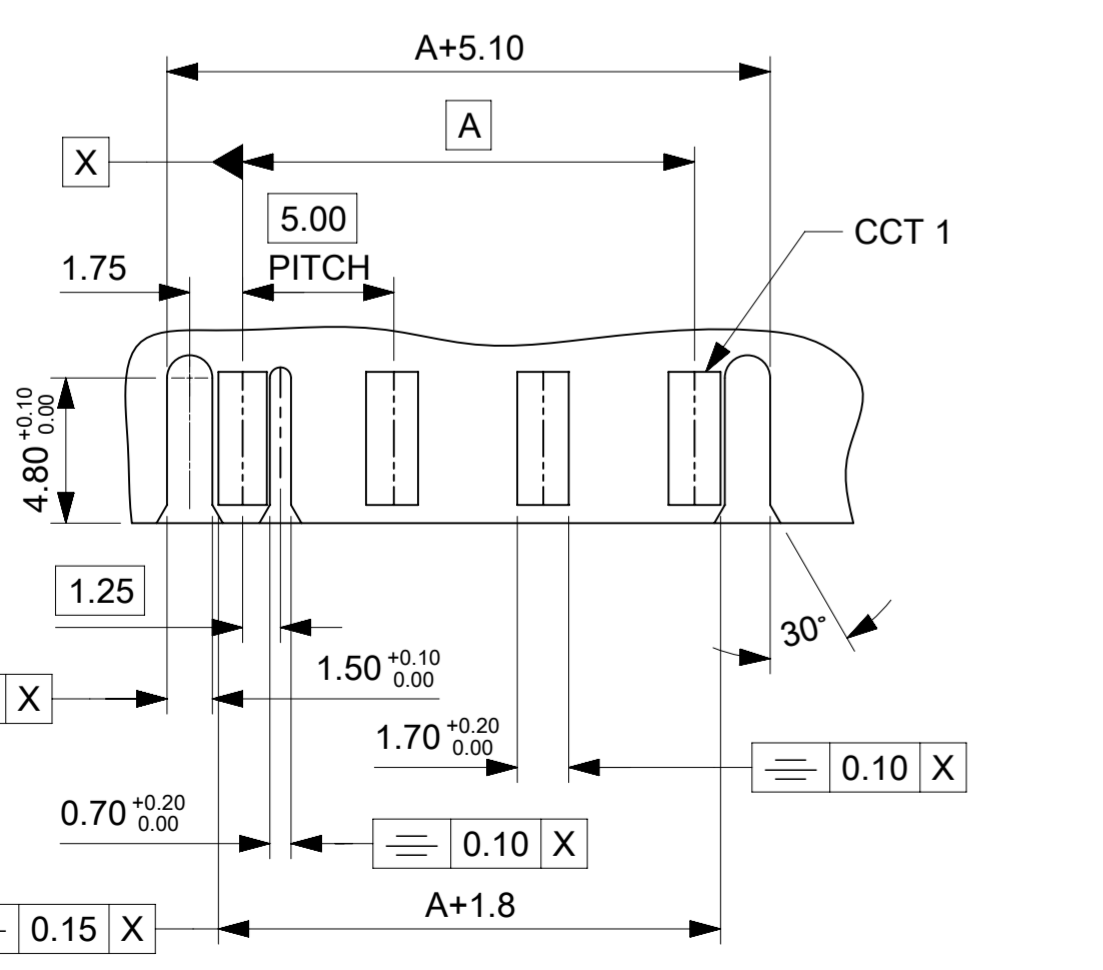
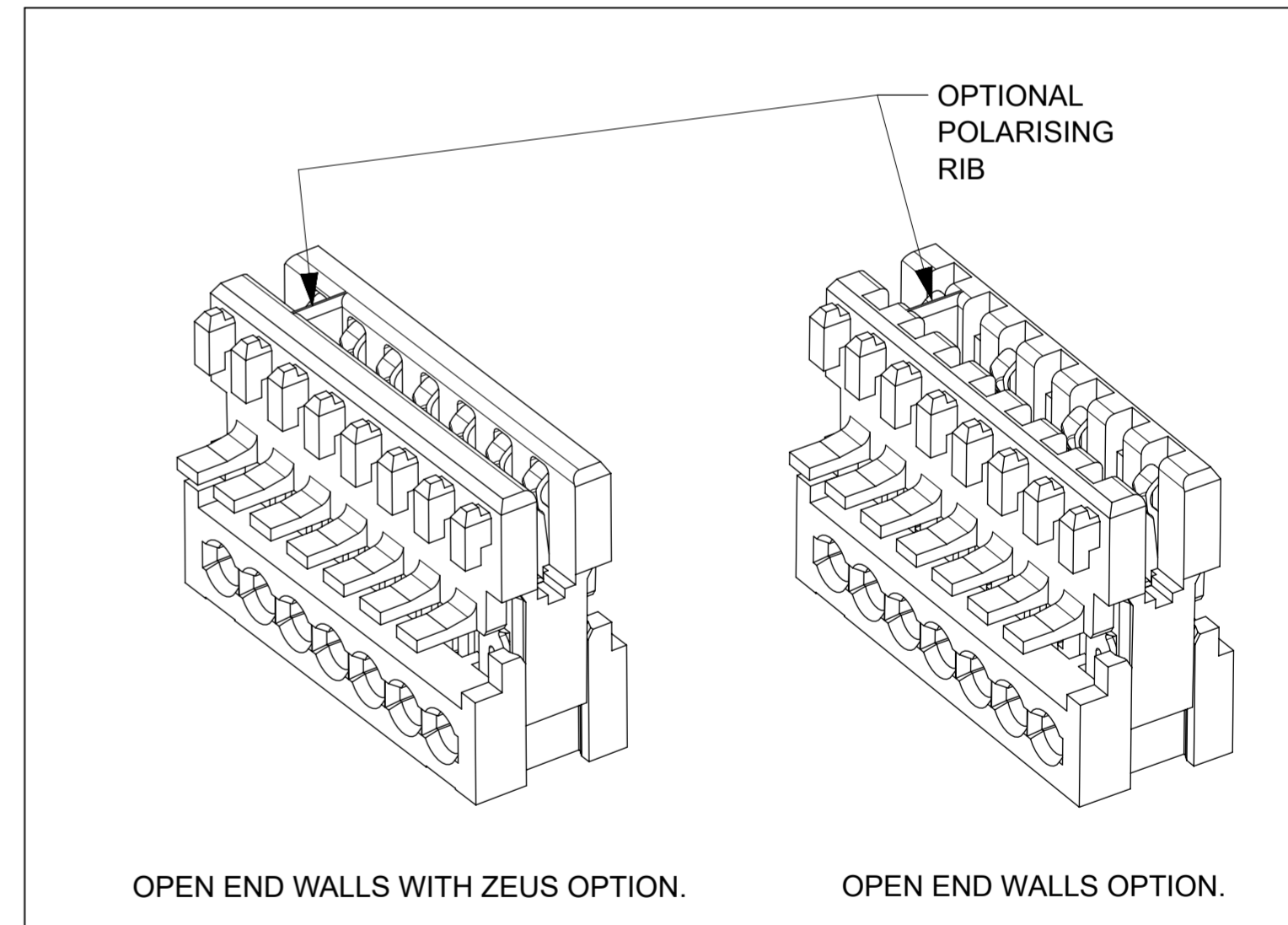


| CCT | A | B |
|-----|----|--------|
| 2 | 5 | 9.875 |
| 3 | 10 | 14.875 |
| 4 | 15 | 19.875 |
| 5 | 20 | 24.875 |
| 6 | 25 | 29.875 |
| 7 | 30 | 34.875 |
| 8 | 35 | 39.875 |
| 9 | 40 | 44.875 |
| 10 | 45 | 49.875 |



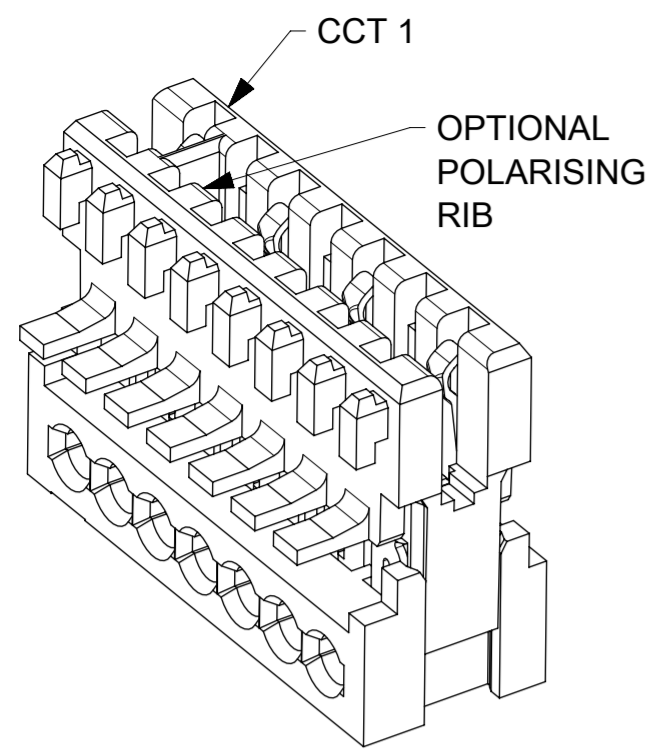
- PCB LAYOUT FOR 4CCT (5mm) CONNECTOR (WITH OPTIONAL POSITIONAL RIB SLOT BETWEEN CCT 1 & 2)
- RECOMMENDED PCB THICKNESS 1.5±0.14

- NOTES:
- REFER TO PRODUCT SPECIFICATION: PS-99020-0040.
 - MATERIAL: HOUSING - POLYAMIDE (PA6) 89992-1895 UL94-V2, COLOUR: NATURAL. TERMINAL: PHOSPHOR BRONZE 0.30 REF. THICK - PLATING HOT TIN DIP.
 - COLOUR STRIPE IS OPTIONAL. AVAILABLE IN THE FOLLOWING COLOURS: RED, GREEN, BLUE, ORANGE, BLACK, YELLOW, BROWN AND VIOLET. (BLACK SIGNIFIES CUSTOMER SPECIFIC CONFIGURATION).
 - REFER TO PACKAGING SPEC (PK-90871-001)
 - REFER TO APPLICATION SPEC (990330008 AS)



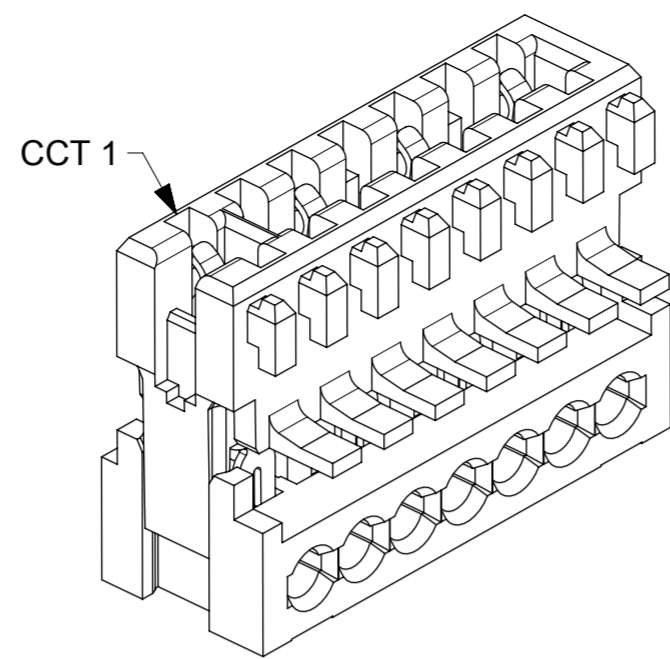
THIS DRAWING CONTAINS INFORMATION THAT IS PROPRIETARY TO MOLEX ELECTRONIC TECHNOLOGIES, LLC AND SHOULD NOT BE USED WITHOUT WRITTEN PERMISSION

| | | | |
|--|------------------------|--------------------|---------------------|
| DIMENSION UNITS | SCALE | CURRENT REV DESC: | |
| mm | 4:1 | | |
| GENERAL TOLERANCES (UNLESS SPECIFIED) | | EC NO: 736941 | |
| ANGULAR TOL ± 0.5° | | DRWN: SHRUTJ | 2022/11/17 |
| 4 PLACES ± | | CHK'D: RAHULH3 | 2023/02/06 |
| 3 PLACES ± 0.05 | | APPR: MRAMAKRISHNA | 2023/02/06 |
| 2 PLACES ± 0.1 | | INITIAL REVISION: | |
| 1 PLACE ± 0.2 | | DRWN: CFISHER01 | 2016/01/18 |
| 0 PLACES ± | | APPR: MSHANAHAN | 2016/03/25 |
| DRAFT WHERE APPLICABLE MUST REMAIN WITHIN DIMENSIONS | THIRD ANGLE PROJECTION | DRAWING | SERIES |
| | | A2-SIZE | 93465 |
| DOCUMENT STATUS | P1 | RELEASE DATE | 2023/02/06 11:17:27 |
| MATERIAL NUMBER | | CUSTOMER | SHEET NUMBER |
| 934650001 | | GENERAL MARKET | 1 OF 5 |
| DOCUMENT NUMBER | DOC TYPE | DOC PART | REVISION |
| | PSD | 000 | R1 |



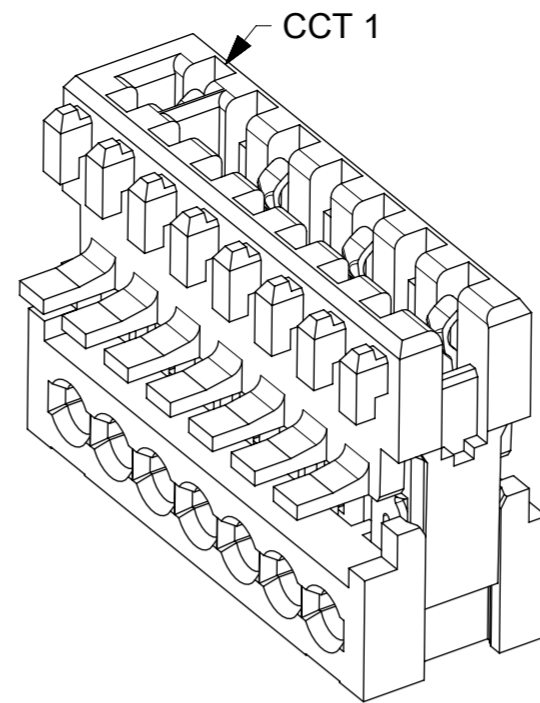
OPEN END WALL OPTION

| FIRST END WALL | LAST END WALL |
|----------------|---------------|
| OPEN | OPEN |



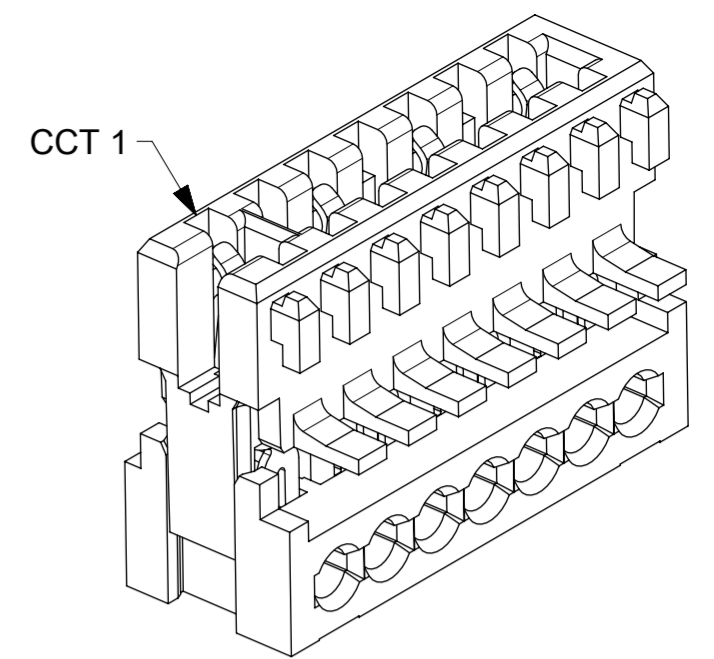
END WALL OPTION A

| FIRST END WALL | LAST END WALL |
|----------------|---------------|
| HALF | CLOSED |



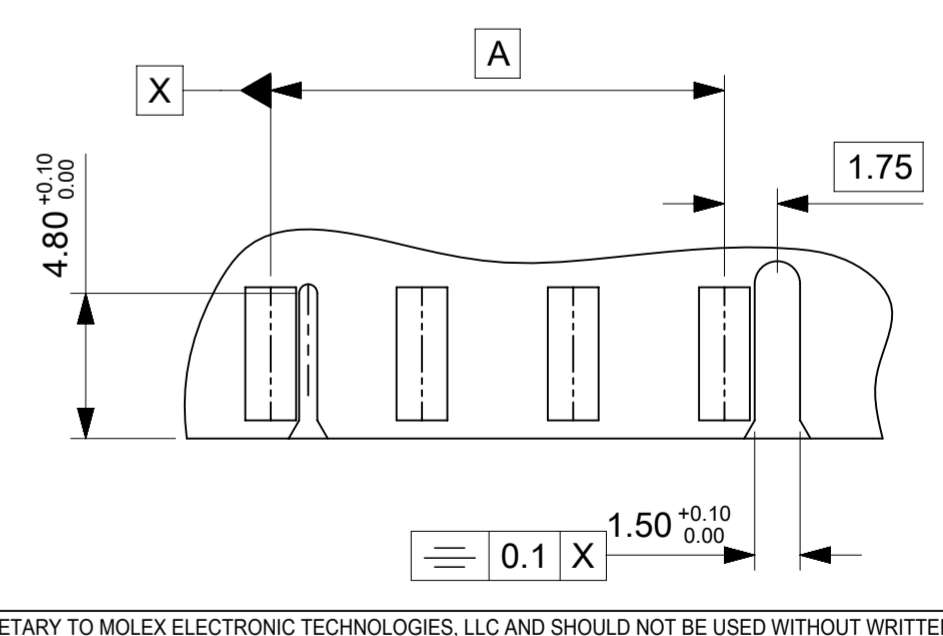
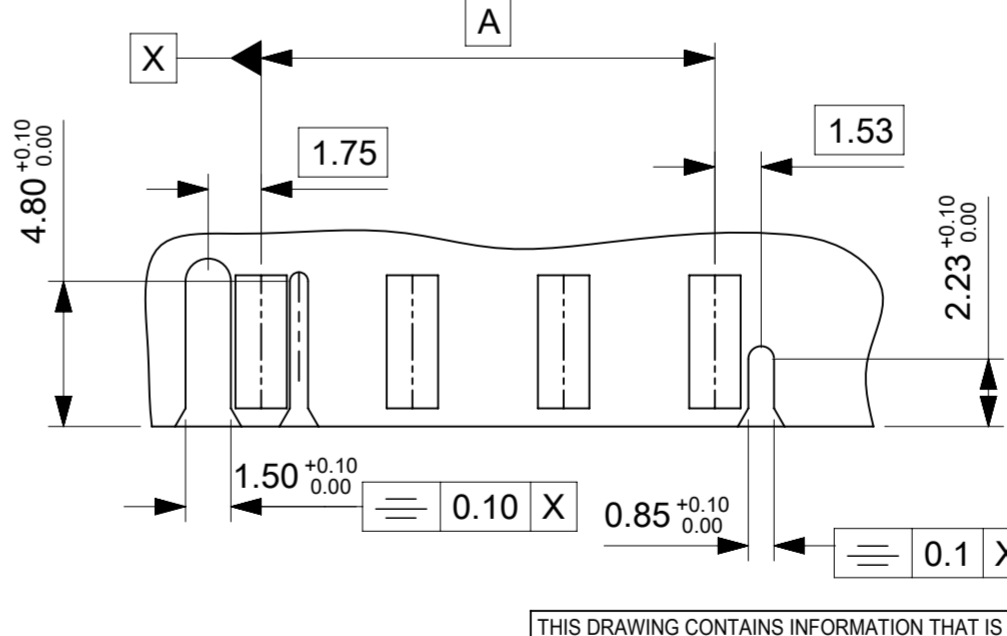
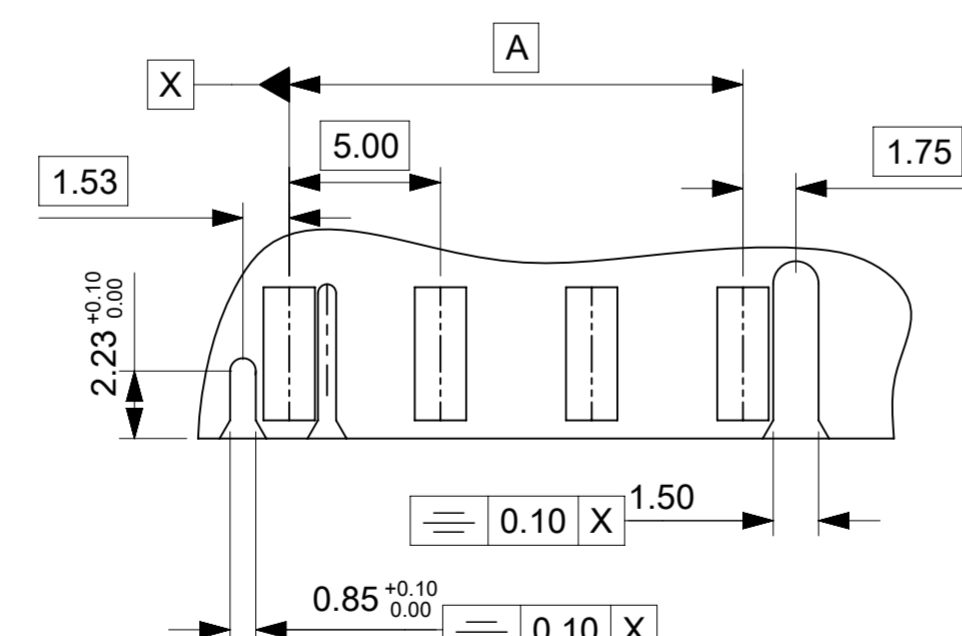
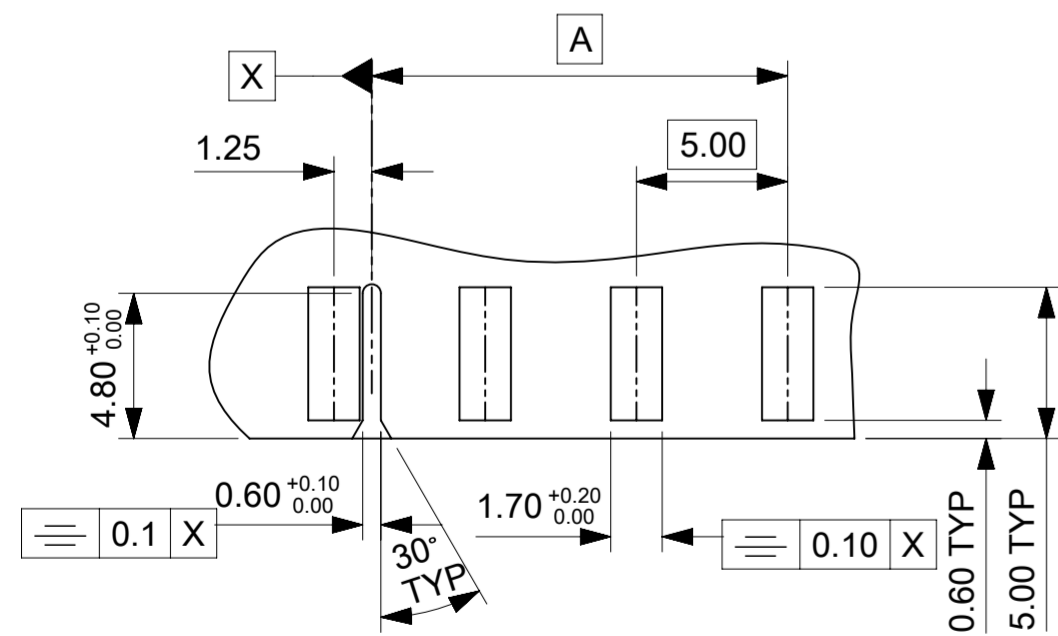
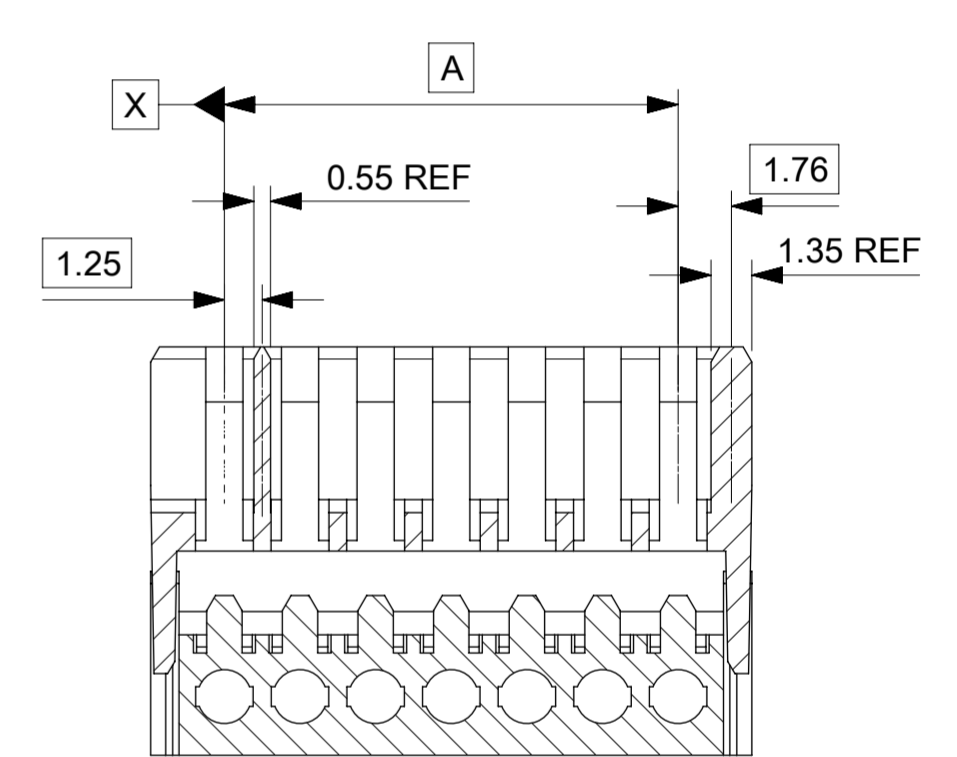
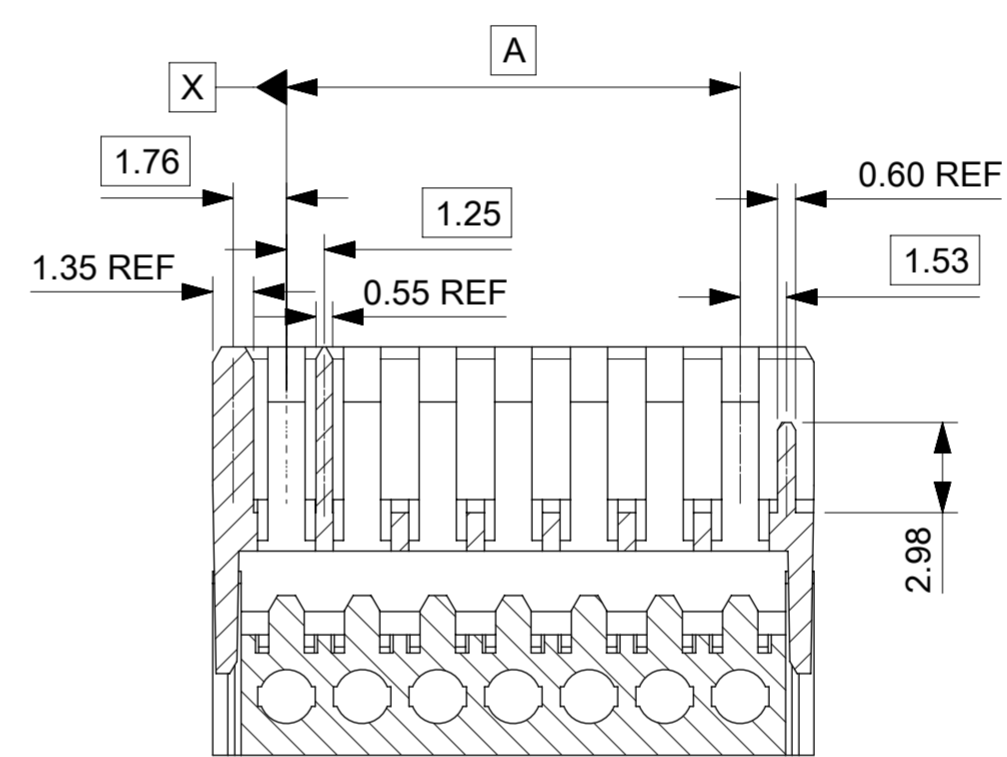
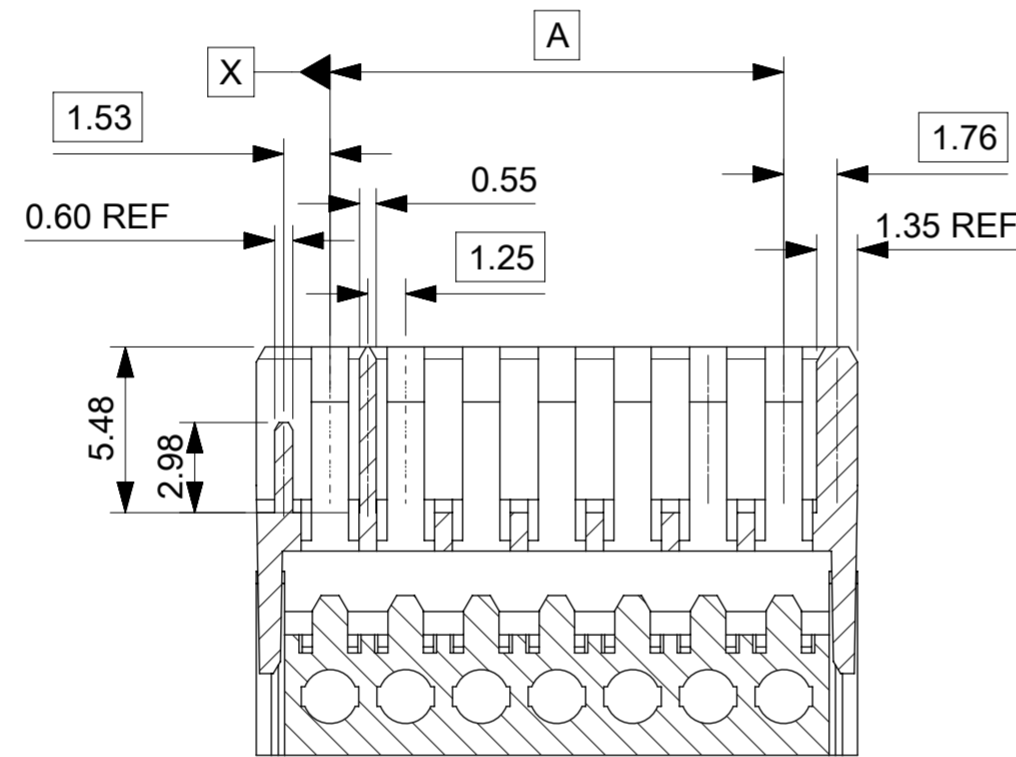
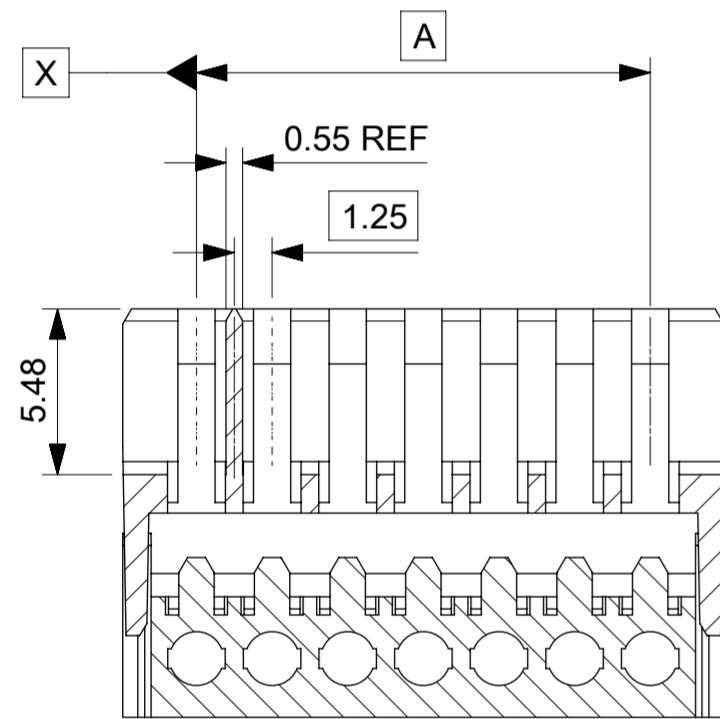
END WALL OPTION B

| FIRST END WALL | LAST END WALL |
|----------------|---------------|
| CLOSED | HALF |



END WALL OPTION C

| FIRST END WALL | LAST END WALL |
|----------------|---------------|
| OPEN | CLOSED |

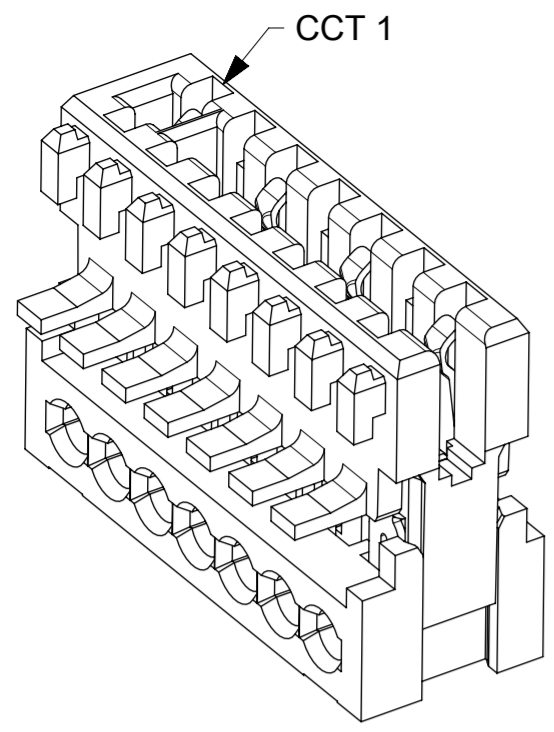


- PCB LAYOUT CCTCONNECTOR (WITH OPTIONAL POSITIONAL RIB SLOT BETWEEN CCT 1 & 2)
- RECOMMENDED PCB THICKNESS 1.5 ± 0.14

THIS DRAWING CONTAINS INFORMATION THAT IS PROPRIETARY TO MOLEX ELECTRONIC TECHNOLOGIES, LLC AND SHOULD NOT BE USED WITHOUT WRITTEN PERMISSION

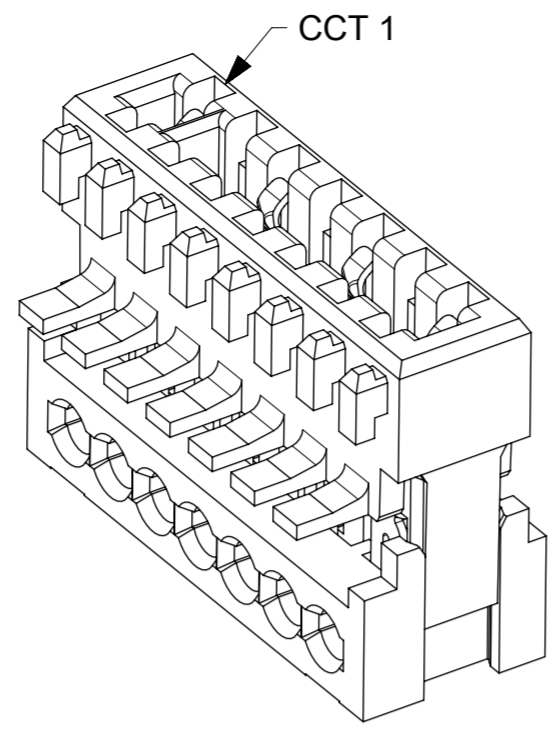
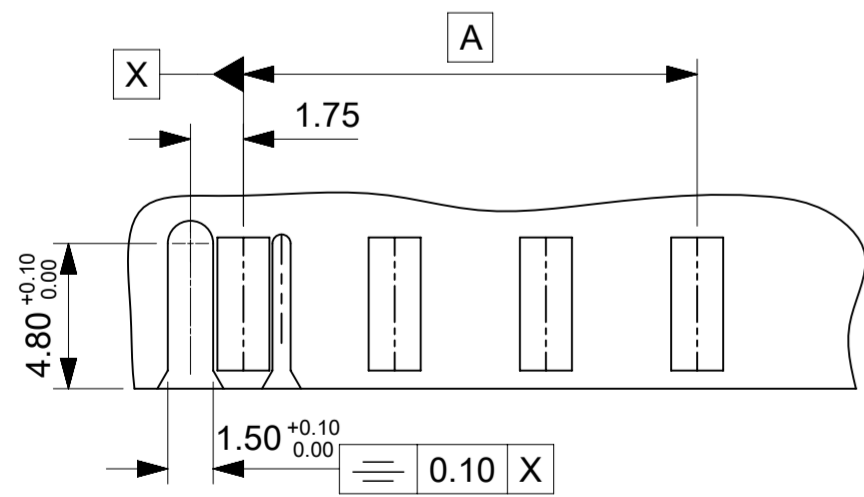
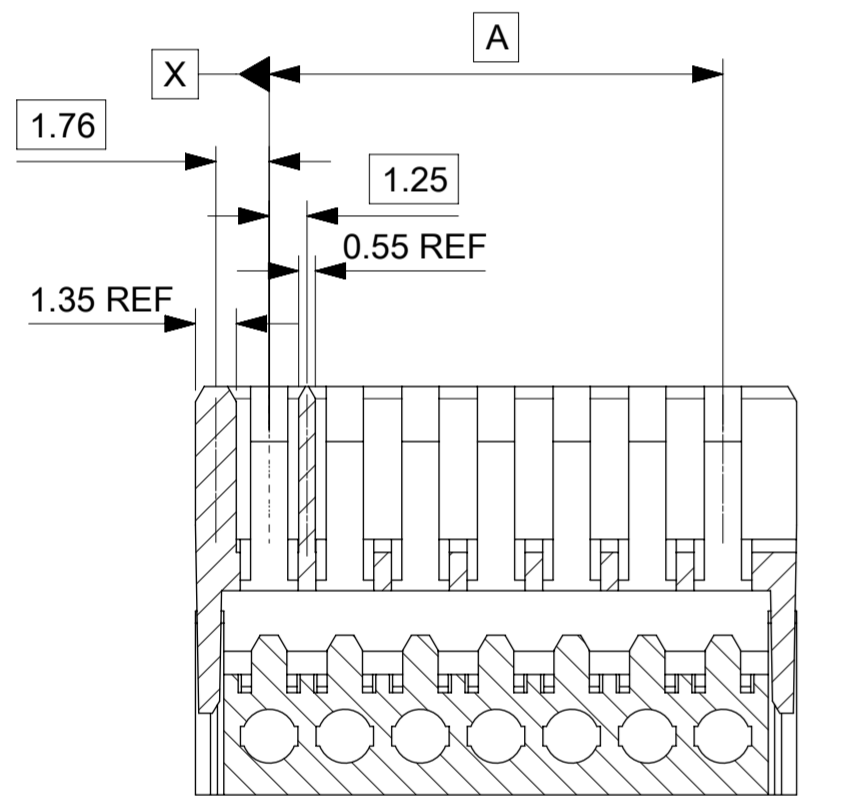
| | | | |
|--|--------|------------------------|------------|
| DIMENSION UNITS | SCALE | CURRENT REV DESC: | |
| mm | 4:1 | EC NO: 736941 | |
| GENERAL TOLERANCES (UNLESS SPECIFIED) | | DRWN: SHRUTJ | 2022/11/17 |
| ANGULAR TOL | ± 0.5° | CHK'D: RAHULH3 | 2023/02/06 |
| 4 PLACES | ± | APPR: MRAMAKRISHNA | 2023/02/06 |
| 3 PLACES | ± 0.05 | INITIAL REVISION: | |
| 2 PLACES | ± 0.1 | DRWN: CFISHER01 | 2016/01/18 |
| 1 PLACE | ± 0.2 | APPR: MSHANAHAN | 2016/03/25 |
| 0 PLACES | ± | THIRD ANGLE PROJECTION | |
| DRAFT WHERE APPLICABLE MUST REMAIN WITHIN DIMENSIONS | | DRAWING | SERIES |
| | | A2-SIZE | 93465 |

| | | | |
|--|----------------|--------------|----------|
| molex | | | |
| APPLI-MATE 2.5 FEMALE G.W.T 750 AND 850 VERSION GF MAT. 5MM PITCH | | | |
| PRODUCT CUSTOMER DRAWING | | | |
| DOCUMENT NUMBER | DOC TYPE | DOC PART | REVISION |
| 934650001 | PSD | 000 | R1 |
| MATERIAL NUMBER | CUSTOMER | SHEET NUMBER | |
| SEE SHEET 4-5 | GENERAL MARKET | 2 OF 5 | |



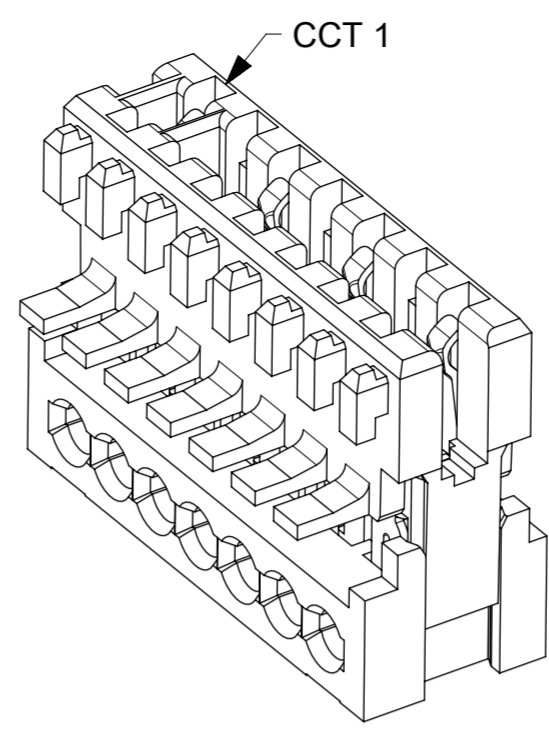
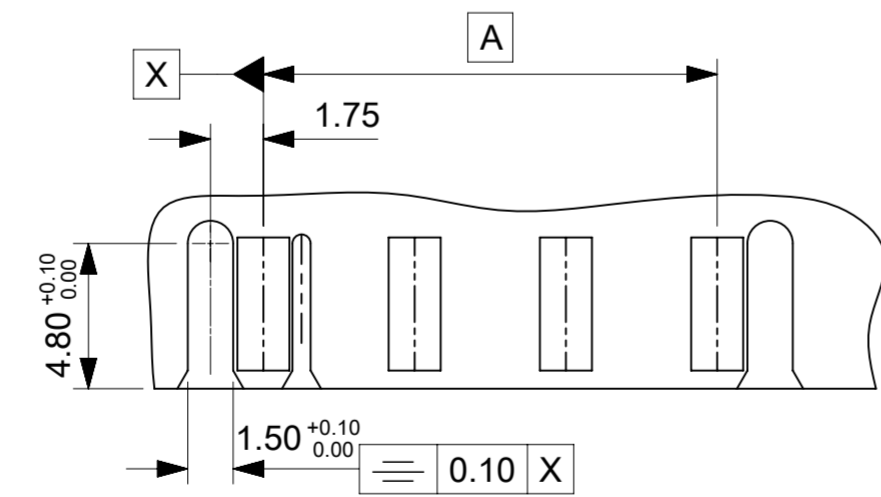
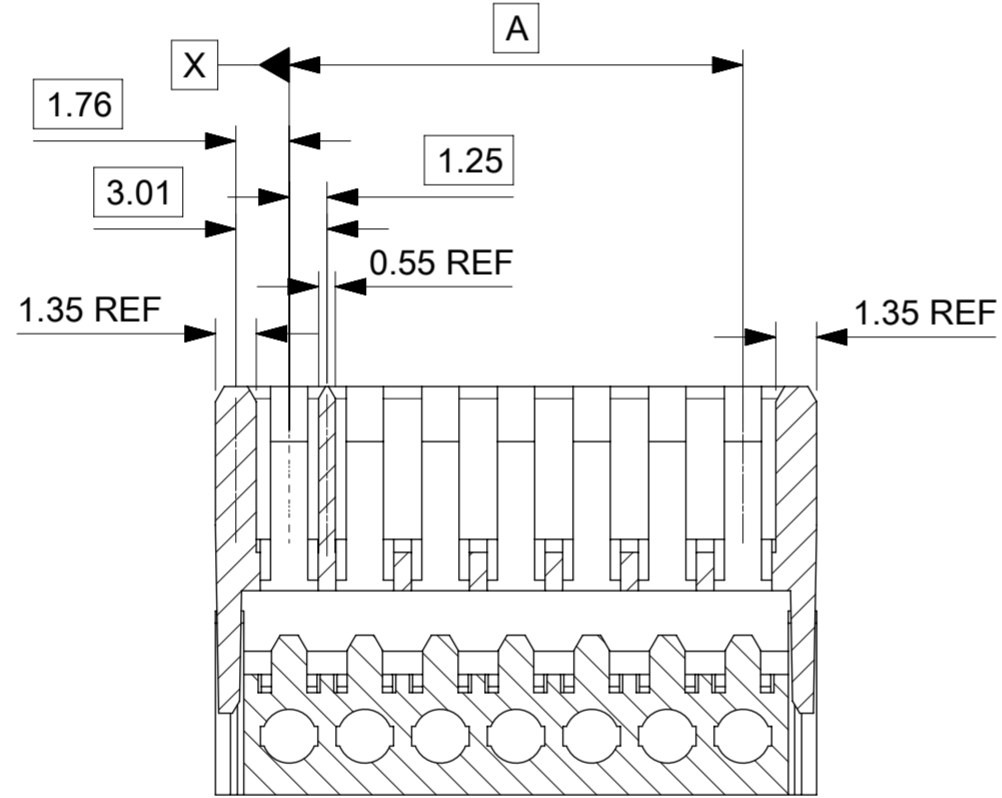
END WALL OPTION D

| FIRST END WALL | LAST END WALL |
|----------------|---------------|
| CLOSED | OPEN |



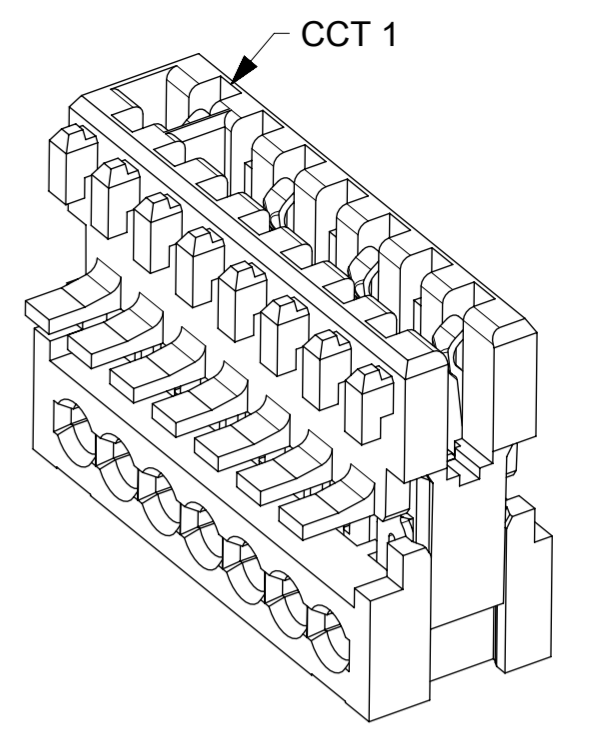
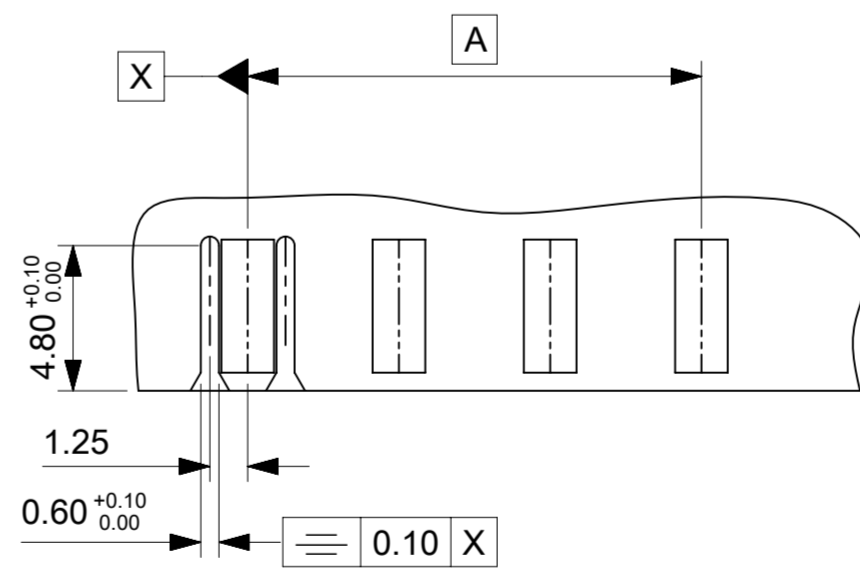
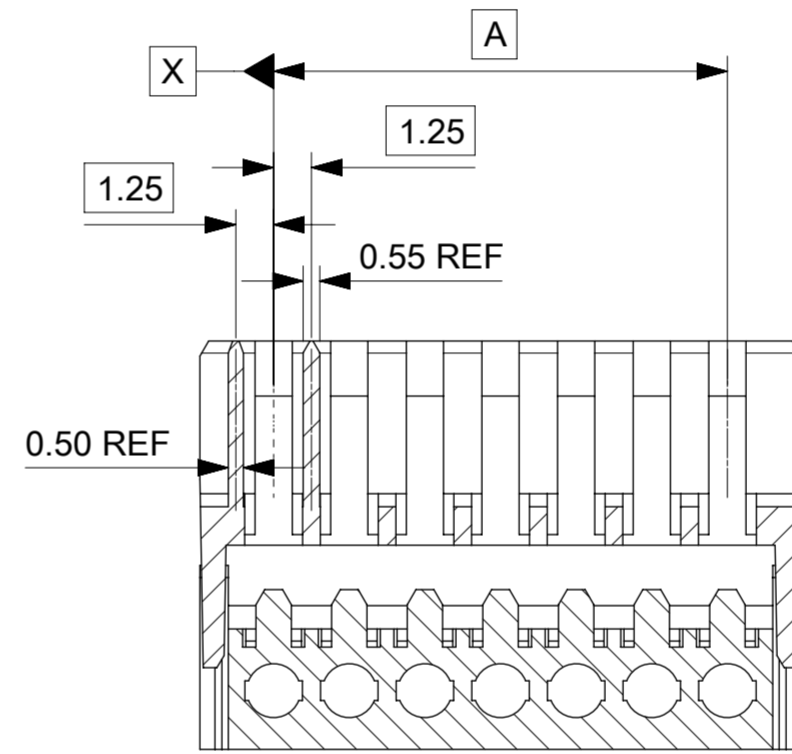
END WALL OPTION E

| FIRST END WALL | LAST END WALL |
|----------------|---------------|
| CLOSED | CLOSED |



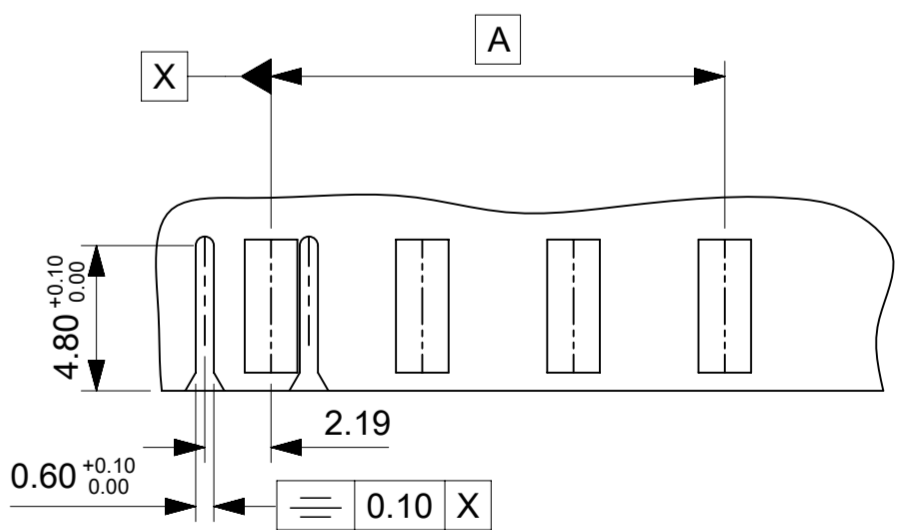
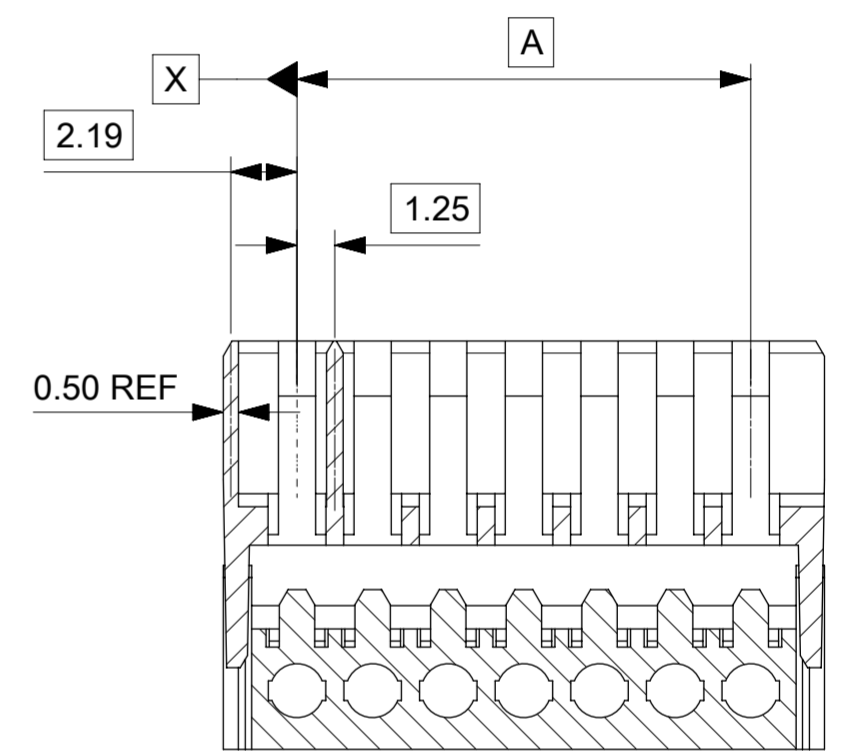
END WALL OPTION F

| FIRST END WALL | LAST END WALL |
|----------------|---------------|
| NARROW | OPEN |



END WALL OPTION G

| FIRST END WALL | LAST END WALL |
|----------------|---------------|
| NARROW FLUSH | OPEN |



THIS DRAWING CONTAINS INFORMATION THAT IS PROPRIETARY TO MOLEX ELECTRONIC TECHNOLOGIES, LLC AND SHOULD NOT BE USED WITHOUT WRITTEN PERMISSION

| | | | | | | | | | | | | | |
|--|---------------------|-------------------------------|--|---|--|----------|--|-----------------------|--|----------------|--|--------------|--|
| DIMENSION UNITS mm | SCALE 4:1 | CURRENT REV DESC: | | | | | | | | | | | |
| GENERAL TOLERANCES (UNLESS SPECIFIED) | | EC NO: 736941 | | | | | | APPLI-MATE 2.5 FEMALE | | | | | |
| ANGULAR TOL | ± 0.5° | DRWN: SHRUTJ 2022/11/17 | | G.W.T 750 AND 850 VERSION GF MAT. 5MM PITCH | | | | | | | | | |
| 4 PLACES | ± | CHK'D: RAHULH3 2023/02/06 | | PRODUCT CUSTOMER DRAWING | | | | | | | | | |
| 3 PLACES | ± 0.05 | APPR: MRAMAKRISHNA 2023/02/06 | | DOCUMENT NUMBER | | | | | | | | | |
| 2 PLACES | ± 0.1 | INITIAL REVISION: | | 934650001 | | | | | | | | | |
| 1 PLACE | ± 0.2 | DRWN: CFISHER01 2016/01/18 | | DOC TYPE | | DOC PART | | REVISION | | | | | |
| 0 PLACES | ± | APPR: MSHANAHAN 2016/03/25 | | PSD | | 000 | | R1 | | | | | |
| DRAFT WHERE APPLICABLE MUST REMAIN WITHIN DIMENSIONS | | THIRD ANGLE PROJECTION | | DRAWING | | SERIES | | MATERIAL NUMBER | | CUSTOMER | | SHEET NUMBER | |
| | | | | A2-SIZE | | 93465 | | SEE SHEET 4-5 | | GENERAL MARKET | | 3 OF 5 | |

| 2 CIRCUIT | | | | | | | |
|-------------|--------------|-----------------------|---------------|---------------|--------------|------------------------|---------------|
| PART NUMBER | HOUSING USED | REMOVED POSITION KEYS | CONFIGURATION | FIRST ENDWALL | LAST ENDWALL | POLARIZING RIB BETWEEN | COLOUR STRIPE |
| 93465-0001 | 93464-0003 | NONE | | OPEN | OPEN | NONE | NONE |
| 93465-0002 | 93464-0003 | d | | OPEN | OPEN | NONE | BLUE |
| 93465-0003 | 93464-0003 | b c | | OPEN | OPEN | NONE | NONE |
| 93465-0004 | 93464-0003 | a | | OPEN | OPEN | NONE | NONE |
| 93465-0005 | 93464-0003 | a c | | OPEN | OPEN | NONE | NONE |
| 93465-0006 | 93464-0003 | c | | OPEN | OPEN | NONE | NONE |
| 93465-0007 | 93464-0003 | b | | OPEN | OPEN | NONE | BLUE |
| 93465-0008 | 93464-0103 | NONE | | OPEN | OPEN | BETWEEN CCT 1&2 | NONE |
| 93465-0009 | 93464-0103 | b | | OPEN | OPEN | BETWEEN CCT 1&2 | NONE |
| 93465-0010 | 93464-0103 | a | | OPEN | OPEN | BETWEEN CCT 1&2 | NONE |
| 93465-0011 | 93464-0163 | NONE | | CLOSED | OPEN | BETWEEN CCT 1&2 | NONE |
| 93465-0012 | 93464-0003 | NONE | | OPEN | OPEN | NONE | RED |
| 93465-0013 | 93464-0003 | d | | OPEN | OPEN | NONE | NONE |
| 93465-0014 | 93464-0003 | ALL | | OPEN | OPEN | NONE | BLUE |
| 93465-0015 | 93464-0203 | NONE | | OPEN | OPEN | BETWEEN CCT 2&3 | NONE |
| 93465-0016 | 93464-0003 | b | | OPEN | OPEN | NONE | NONE |
| 93465-0017 | 93464-0003 | c d | | OPEN | OPEN | NONE | NONE |
| 93465-0018 | 93464-0103 | a d | | OPEN | OPEN | BETWEEN CCT 1&2 | NONE |
| 93465-0019 | 93464-0003 | b d | | OPEN | OPEN | NONE | NONE |
| 93465-0020 | 93464-0003 | a c d | | OPEN | OPEN | NONE | RED |
| 93465-0021 | 93464-0203 | a b d | | OPEN | OPEN | BETWEEN CCT 2&3 | BLACK |
| 93465-0022 | 93464-0003 | a b d | | OPEN | OPEN | NONE | GREEN |
| 93465-0023 | 93464-0103 | a b c d | | OPEN | OPEN | BETWEEN CCT 1&2 | NONE |
| 93465-0024 | 93464-0103 | a c d | | OPEN | OPEN | BETWEEN CCT 1&2 | RED |
| 93465-0025 | 93464-0003 | a b c d | | OPEN | OPEN | NONE | NONE |
| 93465-0026 | 93464-0203 | a c d | | OPEN | OPEN | BETWEEN CCT 2&3 | BLUE |
| 93465-0027 | 93464-0103 | a b d | | OPEN | OPEN | BETWEEN CCT 1&2 | GREEN |
| 93465-0028 | 93464-0203 | NONE | | OPEN | OPEN | BETWEEN CCT 2&3 | RED |
| 93465-0029 | 93464-0103 | b d | | OPEN | OPEN | BETWEEN CCT 1&2 | RED |
| 93465-0030 | 93464-0203 | a c | | OPEN | OPEN | BETWEEN CCT 2&3 | NONE |
| 93465-0031 | 93464-0143 | b | | OPEN | CLOSED | BETWEEN CCT 1&2 | NONE |

| 2 CIRCUIT | | | | | | | |
|-------------|-----------------|-----------------------|---------------|---------------|--------------|------------------------|---------------|
| PART NUMBER | HOUSING USED | REMOVED POSITION KEYS | CONFIGURATION | FIRST ENDWALL | LAST ENDWALL | POLARIZING RIB BETWEEN | COLOUR STRIPE |
| 93465-0032 | 94006-0003 ZEUS | NONE | | OPEN | OPEN | NONE | NONE |
| 93465-0033 | 93464-9909 | NONE | | OPEN | NARROW FLUSH | NONE | NONE |
| 93465-0034 | 94006-0003 ZEUS | a | | OPEN | OPEN | NONE | NONE |
| 93465-0035 | 94006-0003 ZEUS | c | | OPEN | OPEN | NONE | NONE |
| 93465-0036 | 93464-0203 | a b d | | OPEN | OPEN | BETWEEN CCT 2&3 | ORANGE |
| 93465-0039 | 94006-0003 ZEUS | a d | | OPEN | OPEN | NONE | NONE |
| 93465-0040 | 94006-0003 ZEUS | NONE | | OPEN | OPEN | NONE | RED |
| 93465-0042 | 94006-0003 ZEUS | b c | | OPEN | OPEN | NONE | NONE |
| 93465-0043 | 94006-0003 ZEUS | a c | | OPEN | OPEN | NONE | NONE |
| 93465-0044 | 94006-0003 ZEUS | a b | | OPEN | OPEN | NONE | NONE |
| 93465-0045 | 94006-0103 ZEUS | NONE | | OPEN | OPEN | BETWEEN CCT 1&2 | GREEN |
| 93465-0047 | 94006-0003 ZEUS | ALL | | OPEN | OPEN | NONE | NONE |
| 93465-0048 | 94006-0043 ZEUS | c | | OPEN | CLOSED | NONE | NONE |
| 93465-0052 | 93464-9912 | b c | | Narrow Flush | OPEN | BETWEEN CCT 2&3 | NONE |

(R1)

NOTES

- + DENOTES TERMINAL VOIDED POSITION
⊕ DENOTES TERMINAL LOADED POSITION
| DENOTES POLARIZING RIB POSITION
- MOLEX HOUSING NO. FOR REFERENCE ONLY

| | | | | | | | |
|---|--------|---|------------|--------------|-----------------|-------------------|--------------|
| THIS DRAWING CONTAINS INFORMATION THAT IS PROPRIETARY TO MOLEX ELECTRONIC TECHNOLOGIES, LLC AND SHOULD NOT BE USED WITHOUT WRITTEN PERMISSION | | | | | | | |
| DIMENSION UNITS | SCALE | CURRENT REV DESC: | | | | | |
| mm | 1:1 | <p>molex</p> <p>APPLI-MATE 2.5 FEMALE G.W.T 750 AND 850 VERSION GF MAT. 5MM PITCH</p> <p>PRODUCT CUSTOMER DRAWING</p> <p>DOCUMENT NUMBER: 934650001 DOC TYPE: PSD DOC PART: 000 REVISION: R1</p> | | | | | |
| GENERAL TOLERANCES (UNLESS SPECIFIED) | | | | | | | |
| ANGULAR TOL | ± 0.5° | | | | | | |
| 4 PLACES | ± | | | | | | |
| 3 PLACES | ± 0.05 | | | | | | |
| 2 PLACES | ± 0.1 | EC NO: 736941 | 2022/11/17 | DRWN: SHRUTJ | | 2023/02/06 | |
| 1 PLACE | ± 0.2 | APPR: MRAMAKRISHNA | | 2023/02/06 | | INITIAL REVISION: | |
| 0 PLACES | ± | DRWN: CFISHER01 | | 2016/01/18 | | APPR: MSHANAHAN | |
| DRAFT WHERE APPLICABLE MUST REMAIN WITHIN DIMENSIONS | | THIRD ANGLE PROJECTION | DRAWING | SERIES | MATERIAL NUMBER | CUSTOMER | SHEET NUMBER |
| | | | A2-SIZE | 93465 | SEE SHEET 4-5 | GENERAL MARKET | 4 OF 5 |

3 CIRCUIT

| PART NUMBER | HOUSING USED | REMOVED POSITION KEYS | CONFIGURATION | FIRST ENDWALL | LAST ENDWALL | POLARIZING RIB BETWEEN | COLOUR STRIPE |
|-------------|-----------------|-----------------------|---------------|---------------|--------------|------------------------|---------------|
| 93465-1001 | 93464-0005 | NONE | | OPEN | OPEN | NONE | NONE |
| 93465-1002 | 93464-0005 | a b c f | | OPEN | OPEN | NONE | NONE |
| 93465-1003 | 93464-0005 | a | | OPEN | OPEN | NONE | NONE |
| 93465-1004 | 93464-0405 | a b c d | | OPEN | OPEN | BETWEEN CCT 4&5 | NONE |
| 93465-1005 | 93464-0205 | a b c d | | OPEN | OPEN | BETWEEN CCT 2&3 | NONE |
| 93465-1006 | 93464-0005 | a b | | OPEN | OPEN | NONE | NONE |
| 93465-1007 | 94006-0005 ZEUS | NONE | | OPEN | OPEN | NONE | NONE |
| 93465-1008 | 93464-0105 | NONE | | OPEN | OPEN | BETWEEN CCT 1&2 | NONE |

6 CIRCUIT

| PART NUMBER | HOUSING USED | REMOVED POSITION KEYS | CONFIGURATION | FIRST ENDWALL | LAST ENDWALL | POLARIZING RIB BETWEEN | COLOUR STRIPE |
|-------------|-----------------|-----------------------|---------------|---------------|--------------|------------------------|---------------|
| 93465-4001 | 94006-0011 ZEUS | NONE | | OPEN | OPEN | NONE | NONE |

7 CIRCUIT

| PART NUMBER | HOUSING USED | REMOVED POSITION KEYS | CONFIGURATION | FIRST ENDWALL | LAST ENDWALL | POLARIZING RIB BETWEEN | COLOUR STRIPE |
|-------------|-----------------|-----------------------|---------------|---------------|--------------|------------------------|---------------|
| 93465-5001 | 93464-0013 | NONE | | OPEN | OPEN | NONE | NONE |
| 93465-5002 | 94006-0013 ZEUS | NONE | | OPEN | OPEN | NONE | NONE |

4 CIRCUIT

| PART NUMBER | HOUSING USED | REMOVED POSITION KEYS | CONFIGURATION | FIRST ENDWALL | LAST ENDWALL | POLARIZING RIB BETWEEN | COLOUR STRIPE |
|-------------|-----------------|-----------------------|---------------|---------------|--------------|------------------------|---------------|
| 93465-2001 | 93464-0007 | NONE | | OPEN | OPEN | NONE | NONE |
| 93465-2002 | 93464-0067 | b | | CLOSED | OPEN | NONE | NONE |
| 93465-2003 | 93464-0207 | NONE | | OPEN | OPEN | BETWEEN CCT 2&3 | NONE |
| 93465-2004 | 94006-0007 ZEUS | NONE | | OPEN | OPEN | NONE | NONE |
| 93465-2007 | 93464-9913 | d e | | NARROW FLUSH | NARROW FLUSH | BETWEEN CCT 1&2 | NONE |

8 CIRCUIT

| PART NUMBER | HOUSING USED | REMOVED POSITION KEYS | CONFIGURATION | FIRST ENDWALL | LAST ENDWALL | POLARIZING RIB BETWEEN | COLOUR STRIPE |
|-------------|-----------------|-----------------------|---------------|---------------|--------------|------------------------|---------------|
| 93465-5501 | 93464-0015 | NONE | | OPEN | OPEN | NONE | NONE |
| 93465-5502 | 94006-0015 ZEUS | NONE | | OPEN | OPEN | NONE | NONE |

5 CIRCUIT

| PART NUMBER | HOUSING USED | REMOVED POSITION KEYS | CONFIGURATION | FIRST ENDWALL | LAST ENDWALL | POLARIZING RIB BETWEEN | COLOUR STRIPE |
|-------------|-----------------|-----------------------|---------------|---------------|--------------|------------------------|---------------|
| 93465-2501 | 93464-0009 | NONE | | OPEN | OPEN | NONE | NONE |
| 93465-2502 | 93464-9906 | NONE | | NARROW FLUSH | OPEN | NONE | NONE |
| 93465-2503 | 94006-0009 ZEUS | NONE | | OPEN | OPEN | NONE | NONE |

9 CIRCUIT

| PART NUMBER | HOUSING USED | REMOVED POSITION KEYS | CONFIGURATION | FIRST ENDWALL | LAST ENDWALL | POLARIZING RIB BETWEEN | COLOUR STRIPE |
|-------------|--------------|-----------------------|---------------|---------------|--------------|------------------------|---------------|
| 93465-6001 | 93464-0817 | a b c d | | OPEN | OPEN | BETWEEN CCT 8&9 | NONE |
| 93465-6002 | 94006-0017 | NONE | | OPEN | OPEN | NONE | NONE |

| | | | | | | | | | |
|---|--|------------------------|--|-------------------------------|--|----------------|--|--|--|
| THIS DRAWING CONTAINS INFORMATION THAT IS PROPRIETARY TO MOLEX ELECTRONIC TECHNOLOGIES, LLC AND SHOULD NOT BE USED WITHOUT WRITTEN PERMISSION | | | | | | | | | |
| DIMENSION UNITS | | SCALE | | CURRENT REV DESC: | | | | | |
| mm | | 1:1 | | | | | | | |
| GENERAL TOLERANCES (UNLESS SPECIFIED) | | | | EC NO: 736941 | | | | APPLI-MATE 2.5 FEMALE G.W.T 750 AND 850 VERSION GF MAT. 5MM PITCH | |
| ANGULAR TOL ± 0.5° | | | | DRWN: SHRUTJ 2022/11/17 | | | | | |
| 4 PLACES ± | | | | CHK'D: RAHULH3 2023/02/06 | | | | PRODUCT CUSTOMER DRAWING | |
| 3 PLACES ± 0.05 | | | | APPR: MRAMAKRISHNA 2023/02/06 | | | | | |
| 2 PLACES ± 0.1 | | | | INITIAL REVISION: | | | | DOCUMENT NUMBER 934650001 | |
| 1 PLACE ± 0.2 | | | | DRWN: CFISHER01 2016/01/18 | | | | | |
| 0 PLACES ± | | | | APPR: MSHANAHAN 2016/03/25 | | | | DOC TYPE DOC PART REVISION PSD 000 R1 | |
| DRAFT WHERE APPLICABLE MUST REMAIN WITHIN DIMENSIONS | | THIRD ANGLE PROJECTION | | DRAWING | | SERIES | | SHEET NUMBER | |
| | | | | A2-SIZE | | 93465 | | 5 OF 5 | |
| MATERIAL NUMBER | | CUSTOMER | | SEE SHEET 4-5 | | GENERAL MARKET | | | |